

# RA~SHEEBA MASTER SYMBOLS

**TO BE PERFORMED BY RA~SHEEBA MASTERS ONLY**  
(To be used ONLY after someone is Attuned as a Master)

These Symbols are only to be included in giving a RA~SHEEBA to a Master of RA~SHEEBA, NOT to your clients. There is now a growing vortex for energy that is growing larger and stronger each time that Love Energy is put into it.

The Master RA~SHEEBA Symbols are divided into Three Parts.

## The BIOLOGICAL SYSTEM

The Thymus is in charge of the Immune System. It keeps away dangerous virus' etc. So it is most important to keep it at its highest performance. The metaphysical cause of a depleted Immune System is "feeling attacked – 'they' are out to get me".

- THE TAO (pronounced DOW)  
The Heart and Immune System -over the THYMUS
- MARA-KI – over the LIVER
- ARONA-KI – over the KIDNEYS
- HAR-SAN – over the WOMB/GENITALS

## The CHAKRAS

- THE SOURCE – Power of the Panther (over the POWER Chakra)
- SHAR-LIN – Eyes of Horus (over the THIRD EYE Chakra)
- THE SPARK – Heart of ISIS (over the HEART Chakra)
- THE EMBRACING – Sexuality of the Snake (over the SEXUAL Chakra)

## The SPIRIT BODY (the Astral Body)

- DIA-MI – over the entire body
- AKH-BA – Starting at the Crown and encompassing the entire body ending back at the Crown
- ANKH-HET – Starting at the feet and ending over the Crown

Each of the Symbols will be drawn and an explanation will accompany the Symbol.

## THE BIOLOGICAL SYSTEM

### The TAO (pronounced DOW) (Biological System)

#### OVER the THYMUS

The TAO is to be drawn over the Thymus area and then 'tapped' in. A time of listlessness or sickness may follow this as with the modern medicines when adjustment is needed.

The Tao is representative of the Ancient Chinese belief system. The Tao sifts, strengthens and speeds up the biological immune system. As the soil of Mother Earth becomes less abundant in its supply of necessary life giving elements, also the food that is grown from the soil.

The Tao will become all important to the sustaining and maintenance of the biological shell. It will be necessary to flush the system out after the use of the Tao, as many toxins will leave the body forever. Remember the Spirit Self must be well to aid in the biological shift that will follow the use of this symbol.

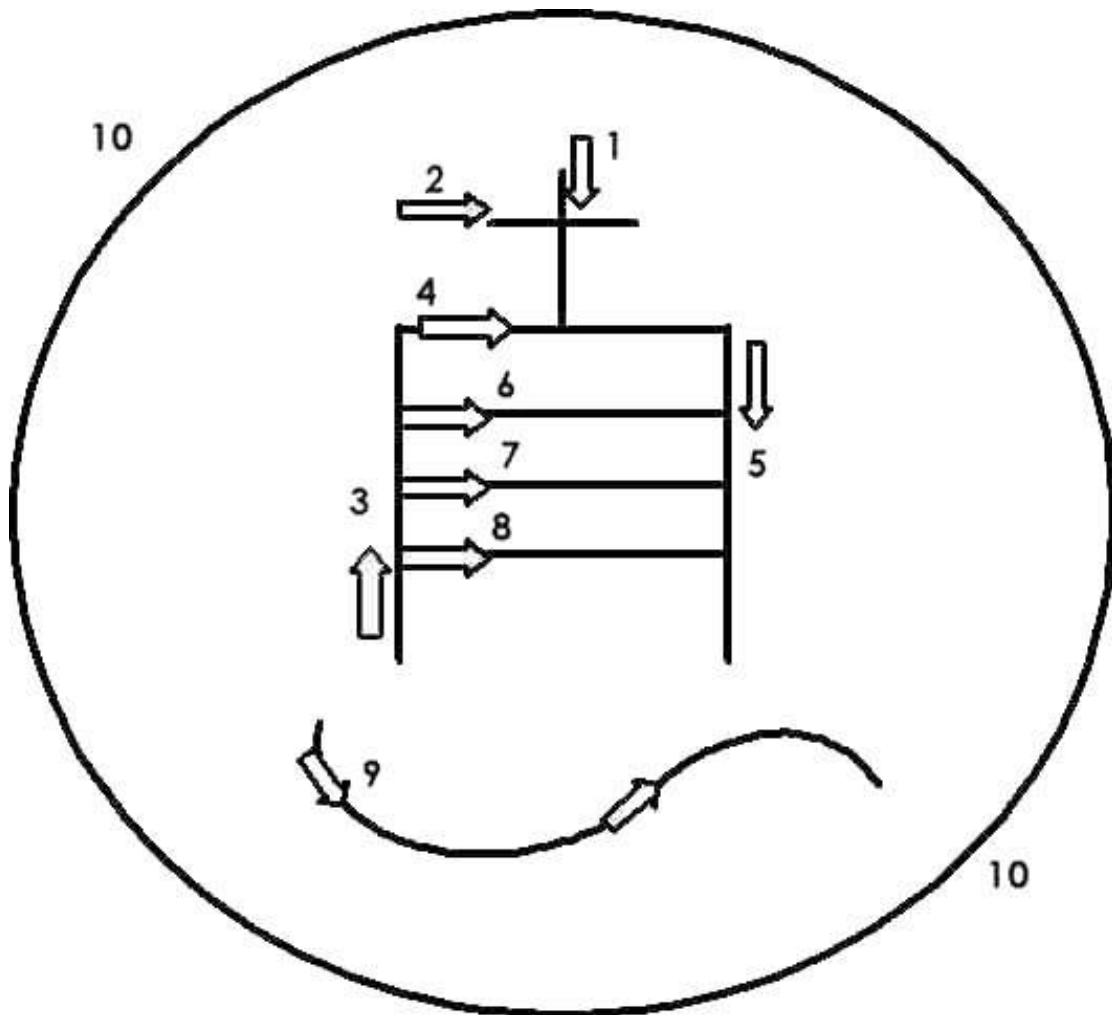
To help this process, the Tao Symbol should be done daily.

Morning – to achieve the healing during the day with INTENT. To heal on the conscious level throughout the day. LOVE is to be a conscious and biological experience.

Night – to achieve healing on a SOUL level. The subconscious state is in night instruction and preparing for the next days events. The letting go of things not needed. The biology is being cleansed during the night.  
The affirmation to be said as you put it into the Thymus is:-

**I HEAL MYSELF WITH LOVE**

I HEAL MYSELF WITH LOVE



MARA-KI  
(Biological System)

OVER the LIVER

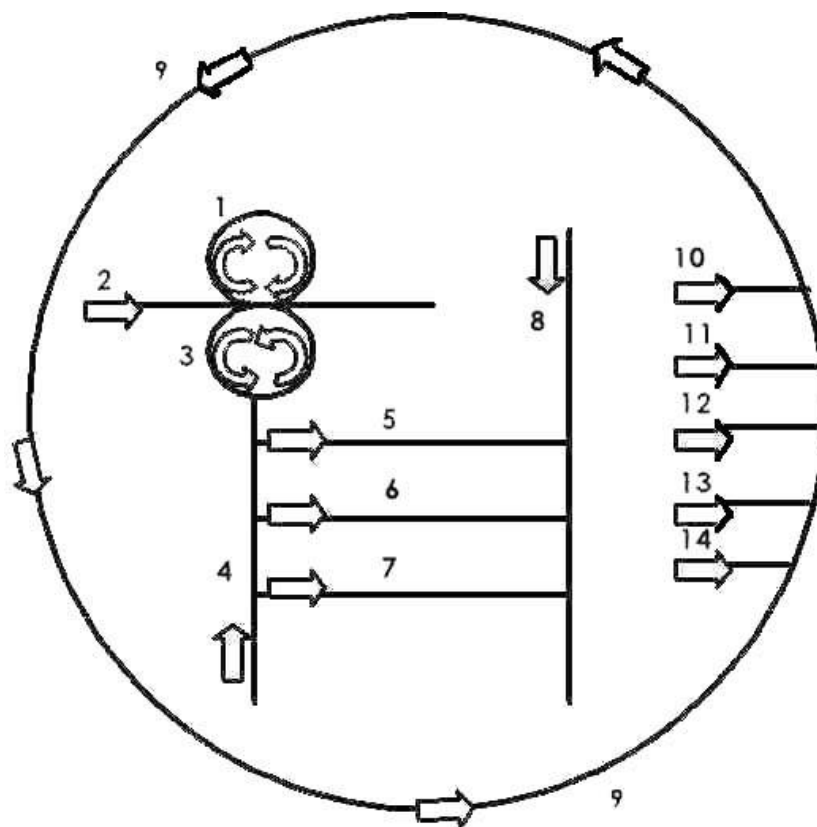
Mara-Ki achieves a cleansing for the liver and associated digestive tract.

The Liver metaphysically is representative of digestion. It represents not assimilating new ideas, holding onto the old. Not letting go. Fear in the beginning. The Liver represents Anger – no Love.

Once the Mara-Ki is done, it can make way for Love and do away with fear or anger. The releasing of old 'stuff' can be discomfoting in the beginning but if done daily, it will just be a releasing of daily non-essentials.

To help this process, the Mara-Ki Symbol should be done daily. The affirmation to be said as you put it into the Liver is:-

LOVE AND PEACE AND JOY IS MINE.



ARONA-KI  
(Biological System)

OVER the KIDNEYS

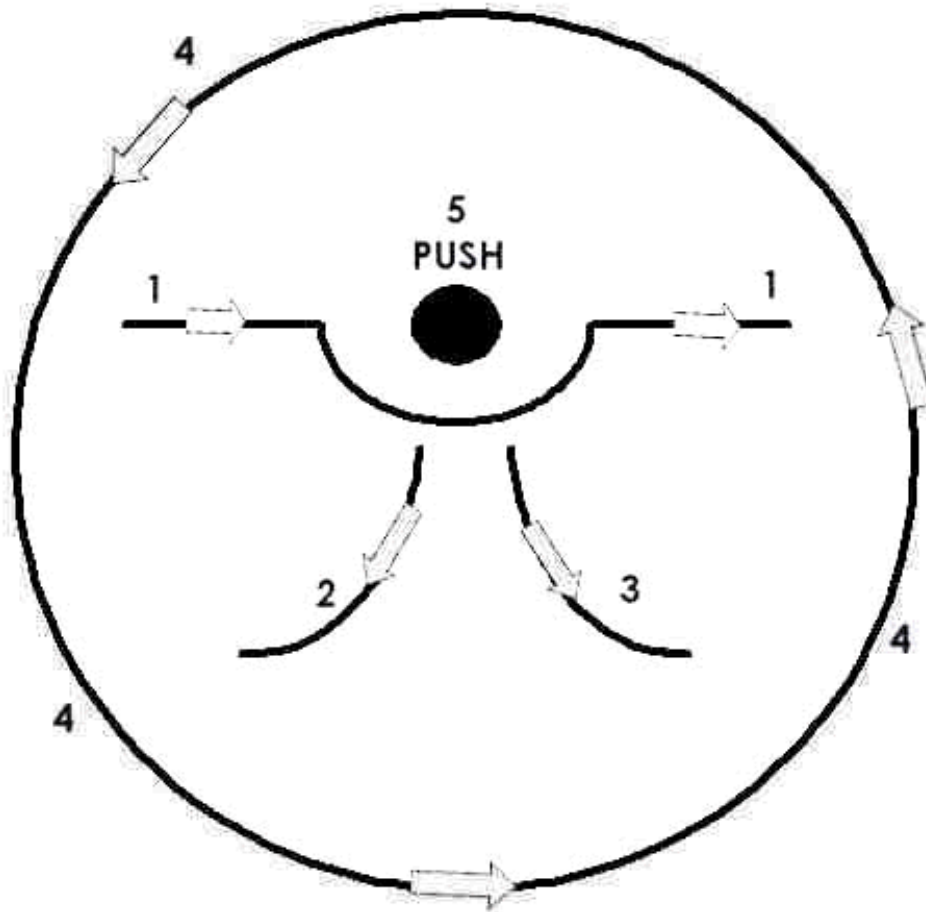
The Arona-Ki is for the Kidneys which is the removing of toxins.

The Kidneys metaphysically are: - criticism, disappointment, failure, and shame. This is where you feel shame, not happy with what you have become.

Arona-Ki will help you to release the poisons of feeling that way. You will be strong and proud of whom you are becoming.

To help this process, the Arona-Ki Symbol should be done daily. The affirmation to be said as you put it into the Kidney is:-

**ONLY GOOD COMES FROM EACH EXPERIENCE.**



HAR-SAN  
(Biological System)

OVER the WOMB/GENITALS

Many do not feel comfortable in being here in this section. They have been told their genitals are private – not to be used. Not to be acknowledged in any way. The opposite of the Truth!!!!

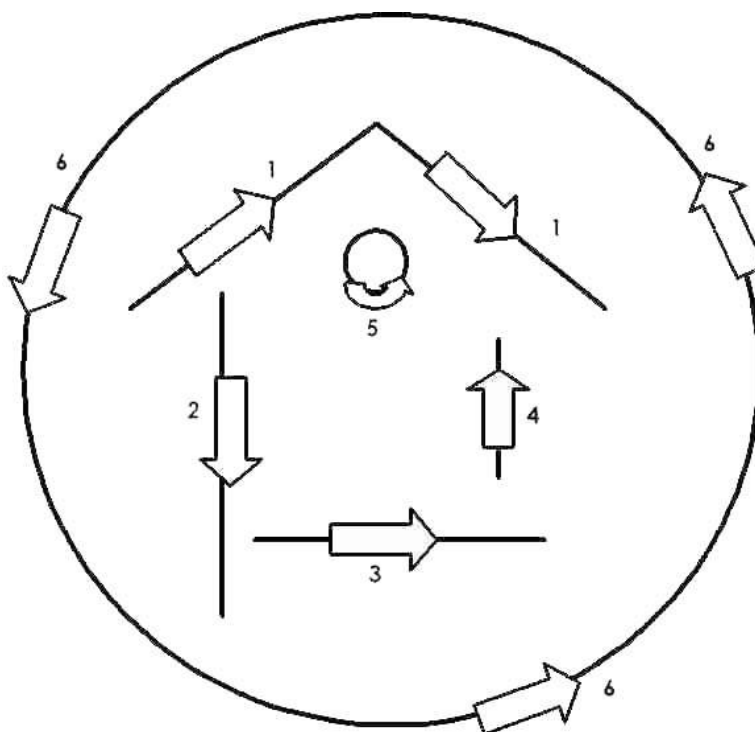
This area is the expression and power of the soul. The temple is to be given reverence and love.

Har-San will give people the courage to look at their sexuality in a different light and blossom into the creative humans that they were meant to be. This is the home of the God/Goddess within.

Allows the Higher Self/Soul to be at home in the body. Allowing the quality of Life to be at its fullest and most glorious part of the whole body.

The affirmation to be said as you put it into the Womb/Genitals is:-

MY SOUL IS HOME



# THE CHAKRAS

## SHAR-LIN (Chakra System)

### OVER the THIRD EYE

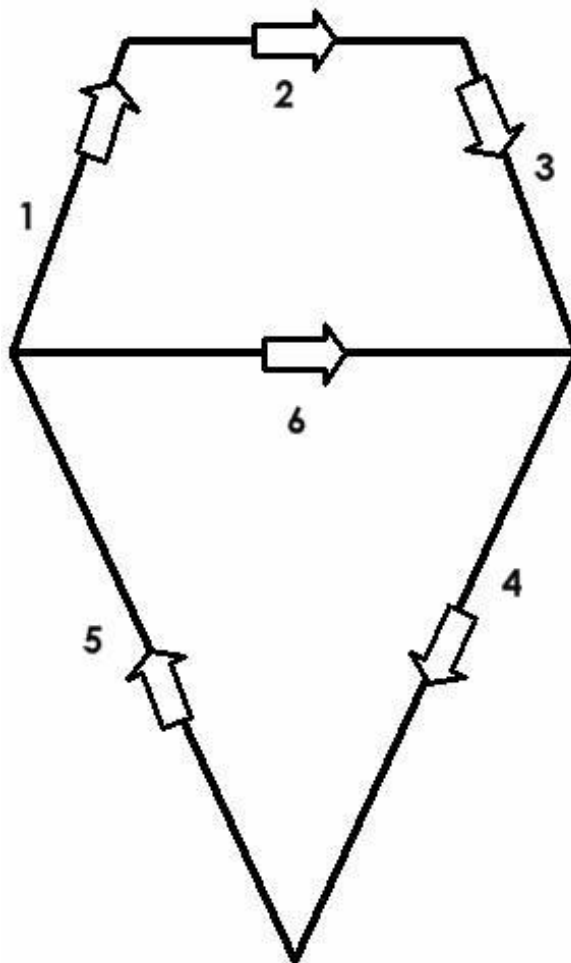
Shar-Lin will heighten all senses both in the Biology and the Higher Self.

The Master recipient will notice almost at once that sight, sound, touch, taste and smell have all changed.

Also on a higher level, the recipient will be aware of feeling and sensing truths on a totally unprecedented scale.

This at first may be very disconcerting, yet control will be easily mastered.

This is yet another shift to aid the recipient towards total perfection of the whole



THE SPARK  
(Chakra System)

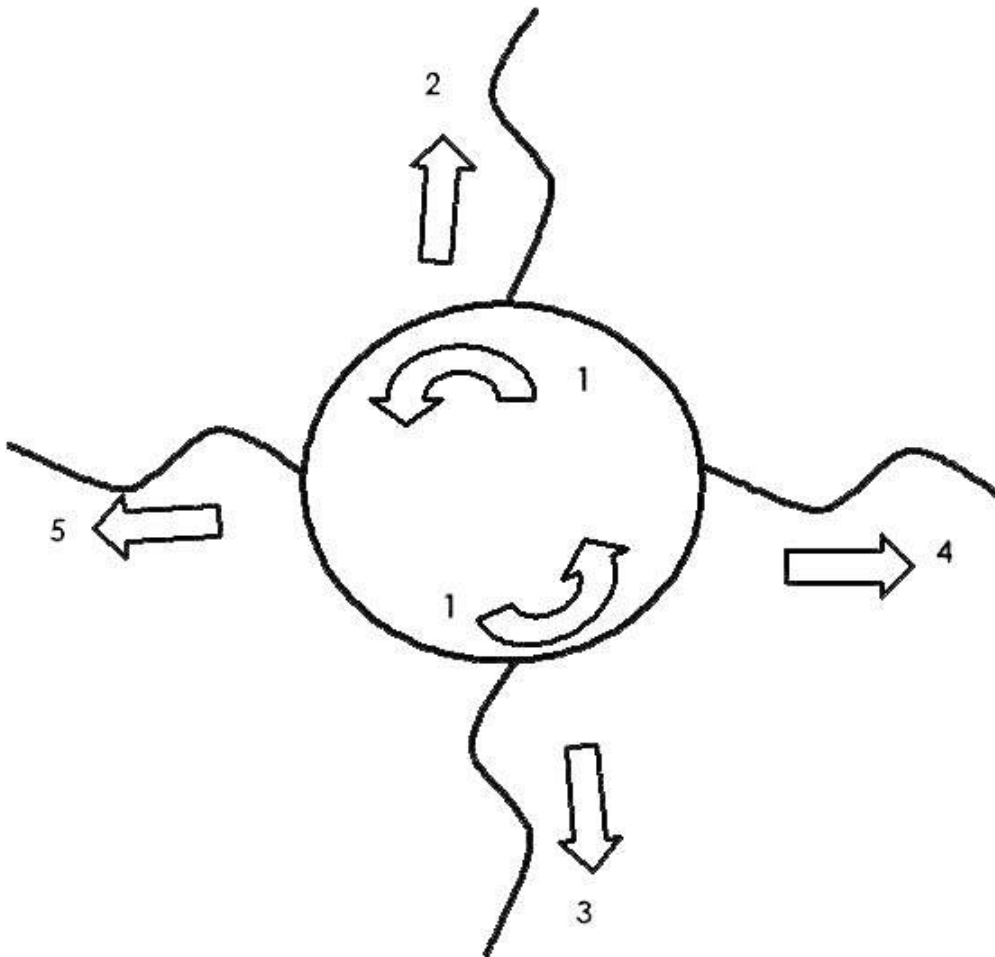
OVER the HEART CHAKRA

The Spark will imbue the recipient Master with the beginnings of THE GREAT TONE. This is the True Vibration.

This will be the most graceful and moving shift of energies. Truly will the Master be Heart of Hearts, able to love truly, fully and on a level not dreamed of before while still in biology.

The Spark is representative of the Great Central Sun and its rays reaching out to embrace and envelope all with in unconditional love.

The Spark is the start of the master power symbols that will aid in the GREAT SHIFT towards HOME! Those who take this and are able to use it, will not look back nor see all in the same light again.





THE SOURCE  
(Chakra System)

OVER the POWER CHAKRA

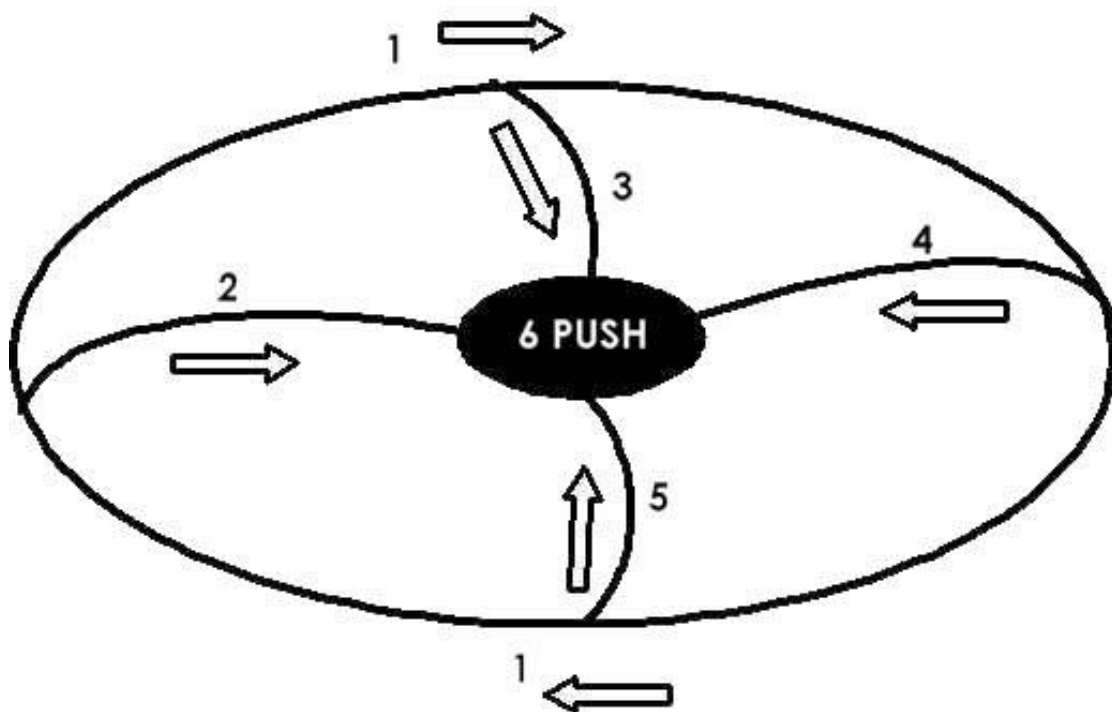
The Source must be drawn HORIZONTALLY then PUSHED down into the Chakra point.

The Source represents the Great Wheel of Power shown in almost all cultures, through their drawings and literature.

This Symbol will bring the Power Chakra into its perfect place and rotation, hence making the whole stronger, brighter and more in tune than ever before.

The use of all of the other Symbols after The Source has been put in place will be increased one hundred fold.

Much more will become possible while still in biology than ever before this time.



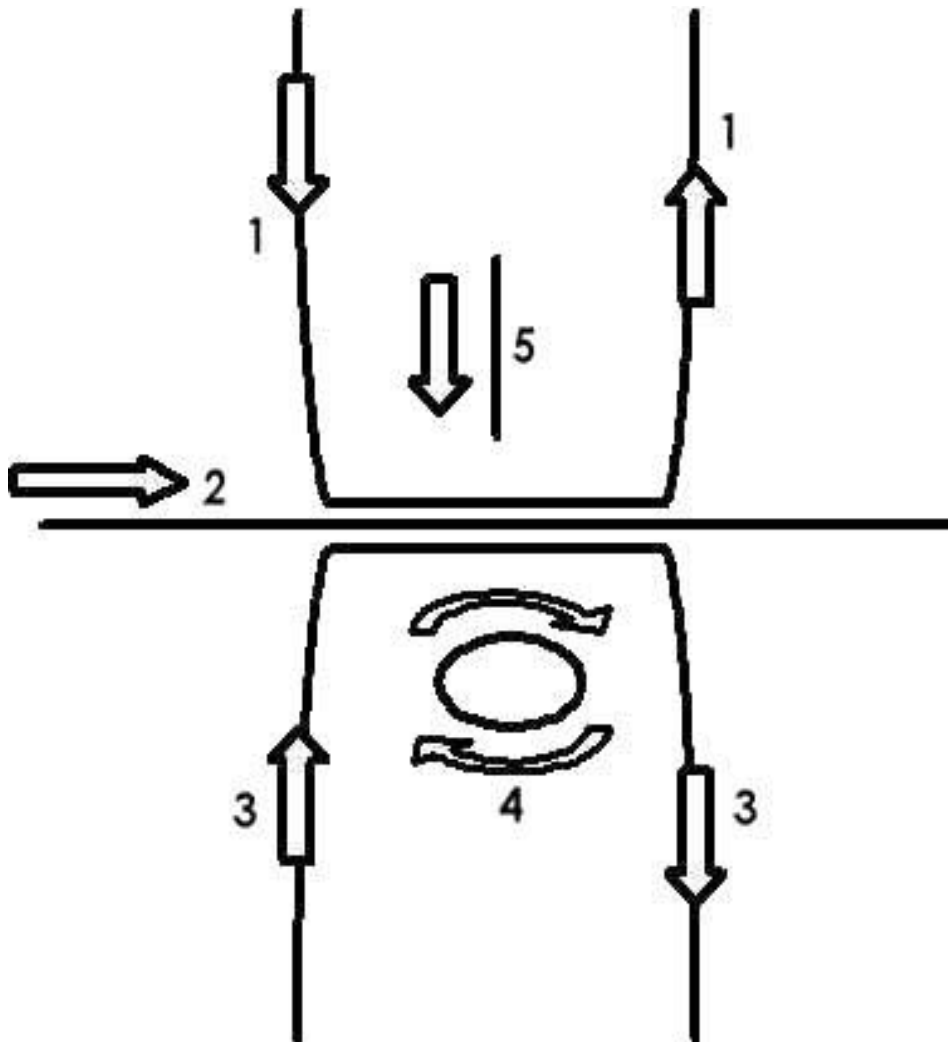
THE EMBRACING  
(Chakra System)

OVER the SEXUAL CHAKRA

Truly this symbol is a great leap. With its use comes a re-union on many levels within the biology. The feeling will be like a blending of the two sexes, each will understand the other totally as the one shall be of the two.

Sexual Energy will become more and more heightened with each experience as the partners will be in a kind of harmony that has not been before.

From this re-union much will and must be shared and passed onto each other. No longer will the false division be there.

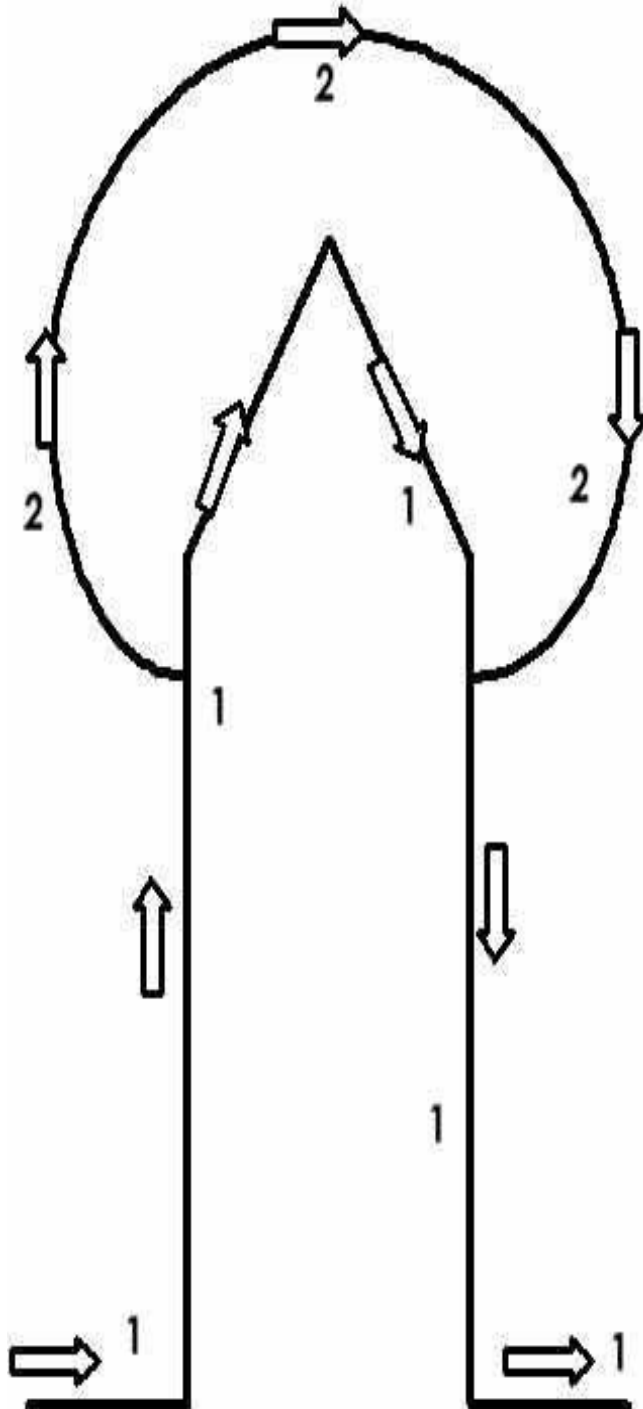


## SPIRIT BODY – ASTRAL LEVEL

These are ALL DRAWN OVER the ENTIRE SPIRIT BODY

### DIA-MI

(Spirit Body – Astral Level)



The Dia-Mi must be drawn over the ENTIRE SPIRIT BODY almost ignoring the Vital Body totally. You start at the feet drawing up to the Third Eye and back to the feet. Then encircling the Crown Chakra.

To gain spiritual prowess following the advancement of the body, and shifting of the Chakras, Dia-Mi will advance all the powers and aspects of the Spirit Body.

The "gradual" advance will come in all areas and will filter down through your "Light Work" as well.

Upon the first use, the recipient will vibrate and feel 'shifts' all over. Even a detachment from the Vital Body itself.

This is the third and final stage in the advancement of the three. That must become as one from the first implanting. All will become anew!

## AKH-BA (Spirit Body – Astral Level)

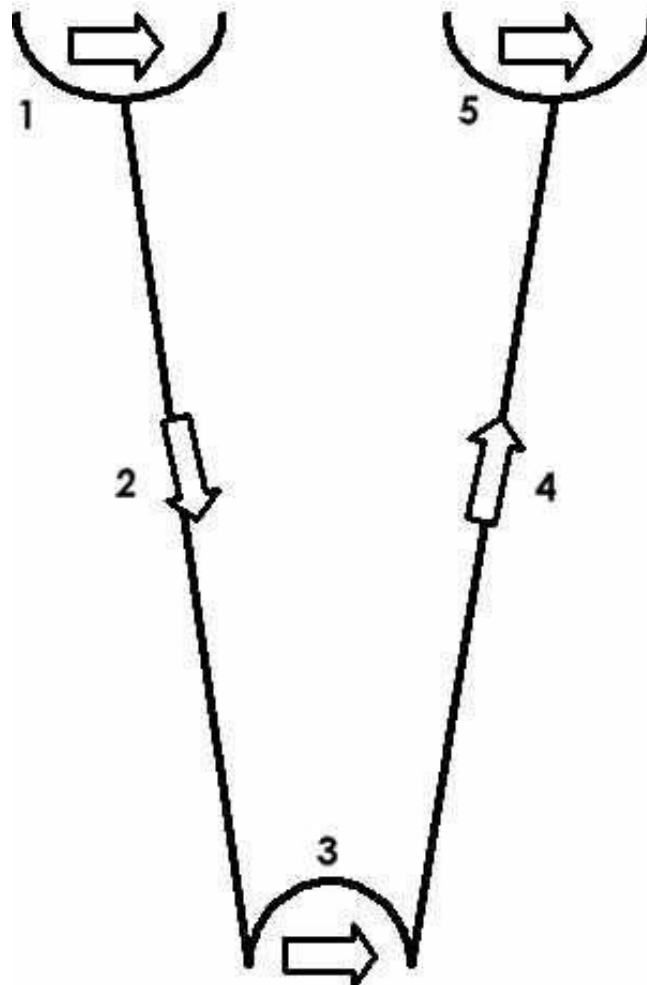
The Akh-Ba must be drawn over the Crown Chakra, down to the feet and back to the Crown Chakra for perfect balance.

The Akh-Ba aligns and strengthens the Spirit Body to help to complete the joining of the Higher Self and the Vital Body.

With this step, the level of communication between the two will be unsurpassable.

Finally the lifting of the veil has begun on this side for all time. As before, there can be no turning back.

With the implementation of the Akh-Ba, new directions will be opened for the recipient. These should be taken as they will speed the spiritual growth three fold.



ANKH-HET  
(Spirit Body – Astral Level)

Entire Body

Ankh-Het is the Third and final symbol for spiritual joining of the three.

Draw the Ankh-Het over the entire body.

The implanting of this symbol will complete the triangle. For the first time since time was recorded will the whole become the one.

The speed at which things will change and become apparent will now be tripled and much in the physical will now come to an end. It could be a long held saddening or sickness – but whatever form it takes, its completion is at hand.

The Spirit Body and the Higher Self may now have total freedom of co-operation and communication.

Truly, this symbol heralds the end of separation of Mind, Body and Spirit.

From this end now the start has begun!

